



TRIM & MOULDINGS

CROWN PVC PRODUCTS.COM



PRODUCTS

PVC TRIM - PVC MOULDING

COLUMNS WRAP - CUSTOM FABRICATION

Contents

About Us. 1

Product info. 2-4

Window Surrounds 5

Paint & Stain Colors 6-8

Crown PVC Wood Molecule 9

Trim+sheets for board and batten 10

Lineal trim with J channel 11-12

Products 13-21

Co-extruded moulding 22-31

ABOUT US

Quality, aesthetics & performance are our standards. At Crown Composite, we believe architectural details define the character of a home. For over two decades, our team has handcrafted premium cellular PVC products that combine timeless design with modern performance.

Designed & engineered to be both beautiful and resilient, our products combine the timeless beauty of natural wood with the advanced performance of modern cellular PVC technology. This allows architects, builders, and homeowners to achieve stunning exterior finishes without the maintenance concerns associated with traditional materials.



Modern design demands modern materials. When it comes to PVC trim, Crown Composite represents the highest quality, offering a wide range of products that exceed expectations. Our commitment to innovation and excellence is evident in every aspect of our trim products. Crown Composite uses advanced manufacturing techniques and stringent quality control to ensure our trim materials meet the highest standards.

We offer 4 distinctive trim board textures. #1 Smooth - #2 Sanded - #3 Wood grain - #4 Brushed

Advantages



Lightweight
Easy to work with &
Superior stability



Workability
Easy to cut & safe
0% harmful silica sand



UV Resistant
True white color
Slow outdoor aging



Weather Resistant
Rot resistant
Moisture resistant



Insect Resistant
Great for outdoor
Safe for ground contact



Self extinguishing
Meets ASTM E84
Class A

Compliances

ISO 17226-1:2021
RoHS compliant
REACH compliant
ASTM E84-17
ASTM D696-08
GB 8624-2012

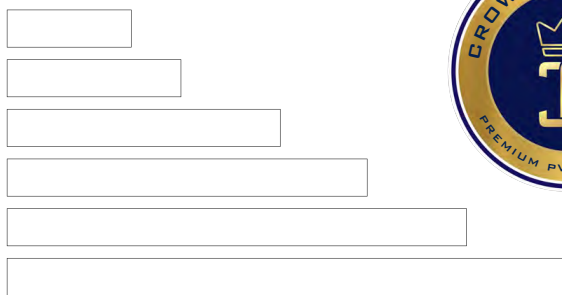


P
V
C

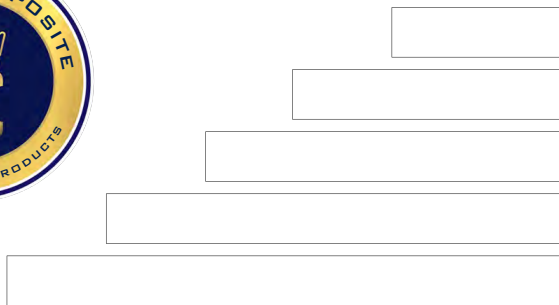
T
R
I
M

&

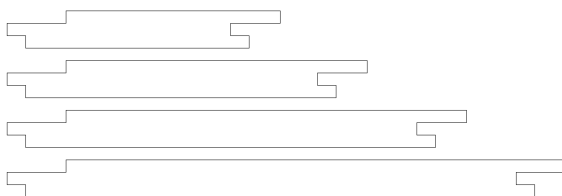
M
O
U
L
D
I
N
G
S



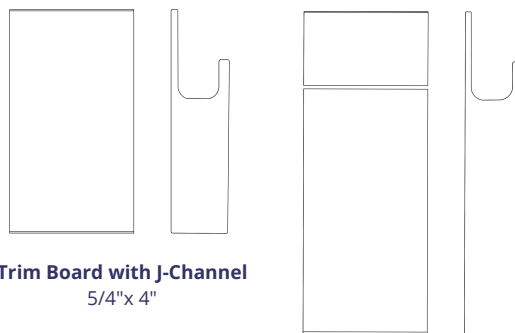
Trim Boards
1"x 3" to 1"x 12"



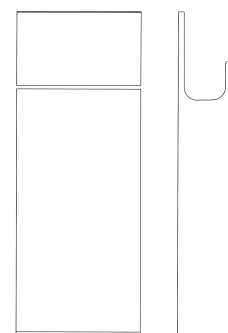
Trim Boards
5/4"x 4" to 5/4"x 12"



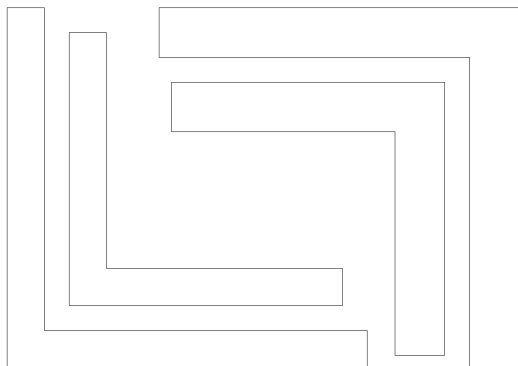
Shiplap
1"x 6" to 1"x 12"



Trim Board with J-Channel
5/4"x 4"

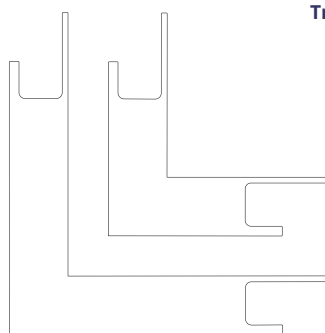


Trim Board with J-Channel
5/4"x 6"

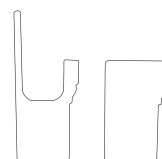


Corners
1"x 6" & 1"x 8"

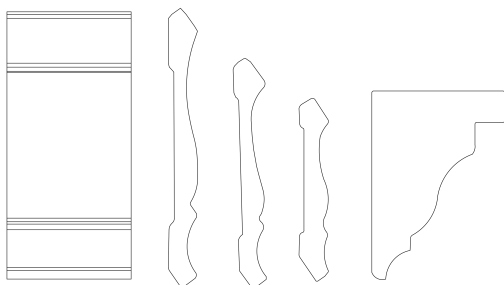
Corners
5/4"x 6" & 5/4"x 8"



Corners with J-Channel
5/4"x 6" & 5/4"x 8"



Brick Mouldings
1-1/4"x 2"

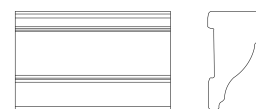


Crown Profiles
3-5/8" to 5-5/8"

Solid Crown
2-5/8"x 3-3/4"



Rams Crown
1-7/16"x 2"



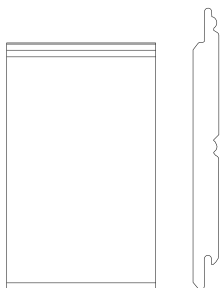
Rake Moulding
1-1/16"x 2"



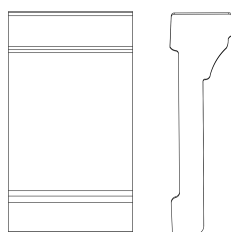
Bed Moulding
9/16"x 1-5/8"



Base Cap
11/16"x 1-1/8"



Reversible Beadboard
1/2"x 5-1/2"



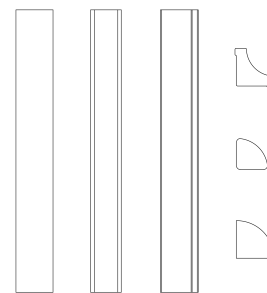
Backband Casing
1-3/8"x 4-1/2"



Backband Moulding
1-3/8"x 1-3/8"



Historic Sill
1-3/4"x 2"

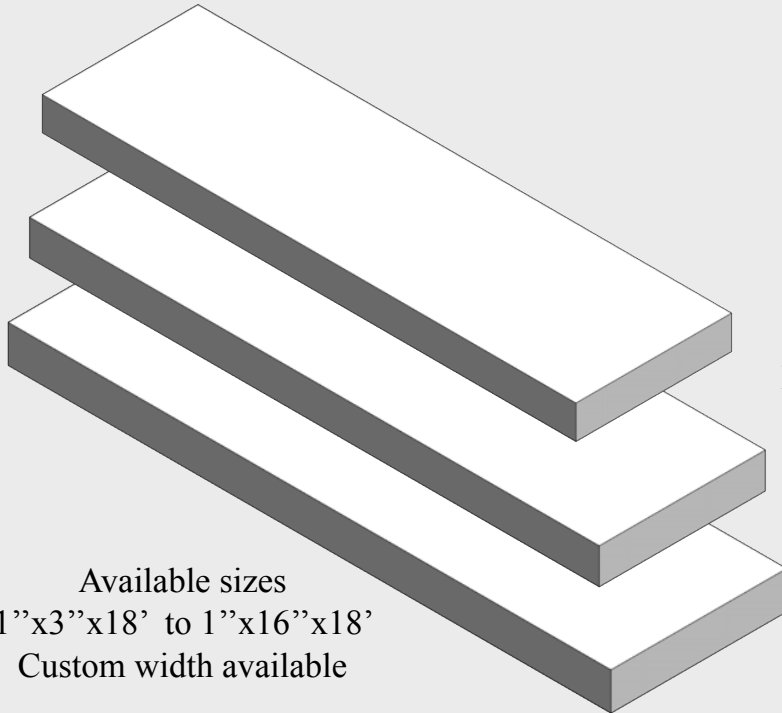


Detail Profiles
5/8" & 3/4"

Crown cellular PVC trim boards

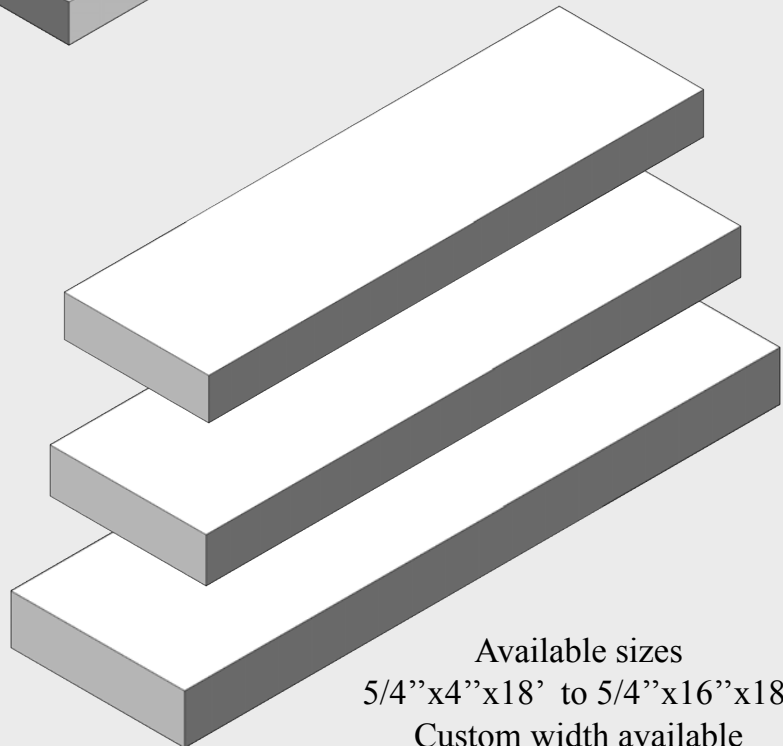
We offer two standard trim board thicknesses: 3/4" and 1" inch thickness.

Designed and engineered for durability and low maintenance, our trim boards combine the timeless appearance of natural wood with the advanced performance of modern cellular PVC technology. The result is a beautiful, low-maintenance solution that allows architects, builders, and homeowners to achieve exceptional exterior finishes without the drawbacks of traditional materials.



Trim board thickness
Dimensional 1" (actual 3/4")

Available sizes
1"x3"x18' to 1"x16"x18'
Custom width available



Trim board thickness
Dimensional 5/4" (actual 1")

Available sizes
5/4"x4"x18' to 5/4"x16"x18'
Custom width available

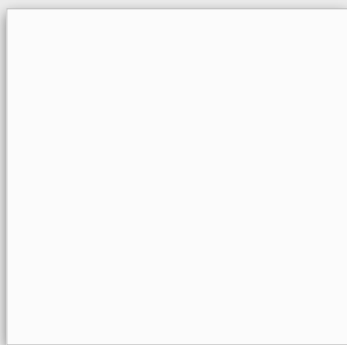
CROWN TRIM BOARDS **SURFACE TEXTURES**

Crown Composite flat trim boards come in four distinctive surface textures.

1. Smooth is the industry standard and the most used trim board
2. Sanded texture adds a rustic industrial look, adding depth and contrast
3. Brushed texture brings a new level of aesthetic, showcases deep grooves, and adds realistic shadows that perfectly mimic the charm of true rustic wood!
4. Wood grain texture replicated the natural feel and texture of real wood

White trim boards textures

1. Smooth



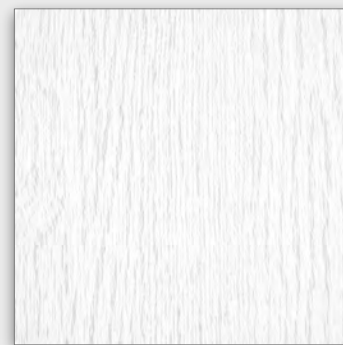
2. Sanded



3. Brushed

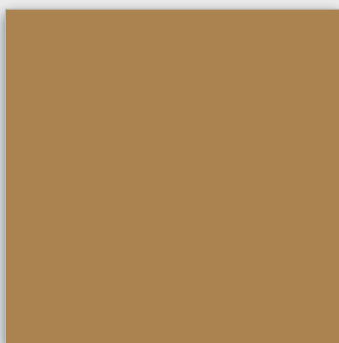


4. Wood grain

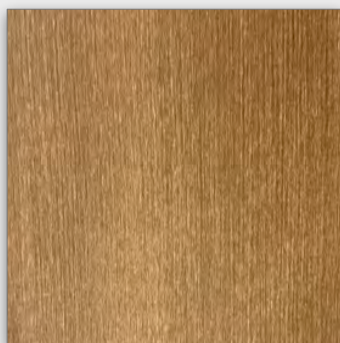


Stained trim boards textures

1. Smooth



2. Sanded



3. Brushed



4. Wood grain



When using Crown PVC trim boards, there are endless possibilities to achieve the result you are looking for. Whether you are using Crown trim boards, either unfinished or pre-finished, you can trust that our products will meet and exceed your expectations.

Colors and textures are digitally captured from actual products. For sample requests, please contact us at sales@CrownPVCproducts.com

THERE IS MORE THAN JUST PLAIN WHITE PVC TRIM AND MOULDINGS

Crown Composite trim boards come in 4 surface textures, 8 stain colors, 20 solid colors, and semi-solid colors to choose from complement every style.

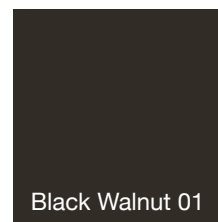
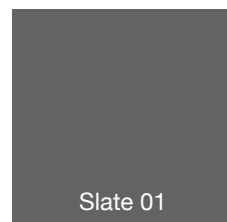
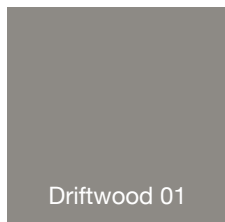


STAINS



Custom colors available

PAINT



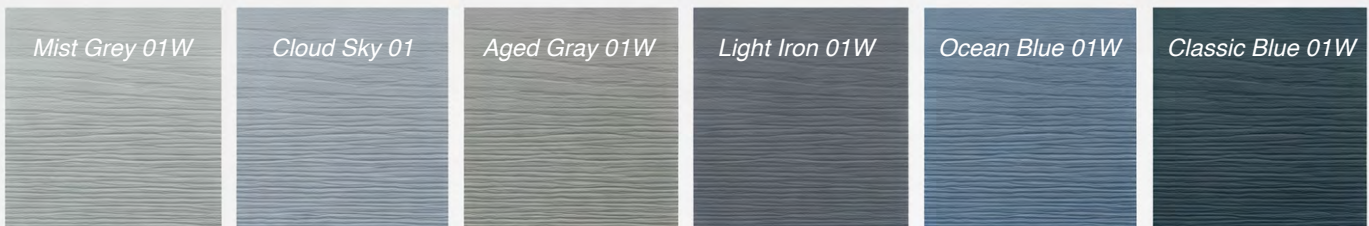
CROWN TRIM BOARDS WOOD GRAIN TEXTURE

CLASSIC COLORS



Crown Composite trim boards with wood-grain texture is our classic surface texture for all our trim products. Proven over the years to be an excellent option for any project. Its rich, natural wood finish offers a classic and authentic look.

Painted with our proprietary solar reflective Crown Pro-Tech finish system for an exceptionally durable finish for many years to come



Colors and textures are digitally captured from actual products. For sample requests, please contact us at sales@CrownPVCproducts.com

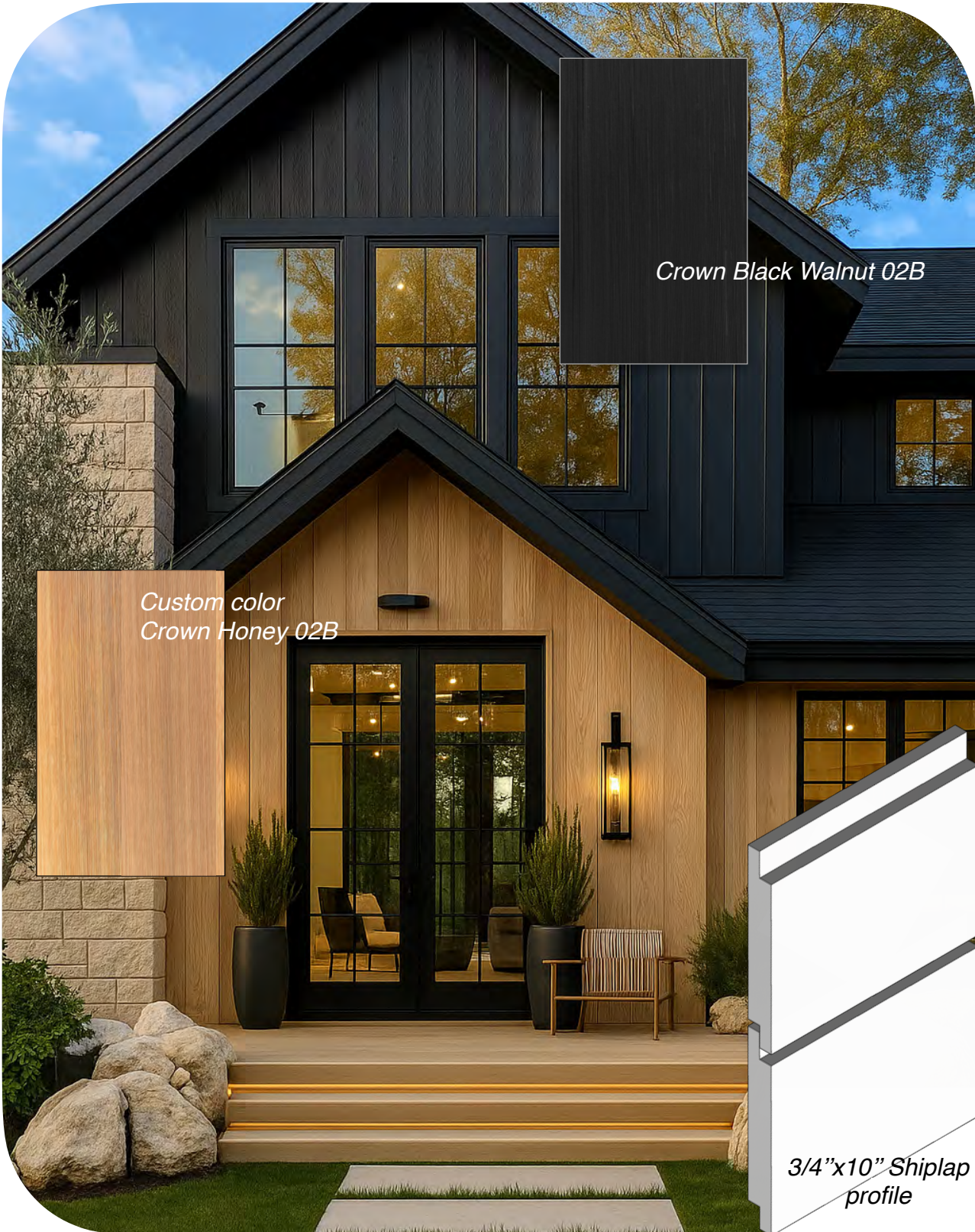
Crown PVC shiplap is made using 3/4" thick trim board materials in various sizes, ensuring exceptional performance and stability. Our shiplap products can be installed either vertically or horizontally and are designed to meet the highest standards. Each piece is pre-finished with our solar-reflective paints or stains, offering outstanding durability, vibrant color retention, and long-lasting beauty.

F
R
O
M

T
R
I
M

T
O

S
H
I
P
L
A
P



BRUSHED TEXTURE

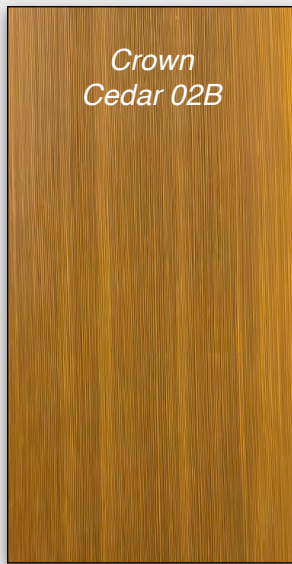
CLASSIC SEMI COLORS



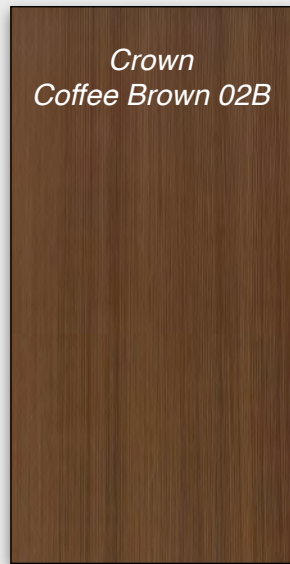
Crown Composite brushed texture replicates the rustic look of forest wood with a modern approach. Our exclusive manufacturing process produces deep, flawless groove lines for the most natural look and feel of real wood. Painted or stained with our proprietary solar reflective Crown Pro-Tech finish system for an exceptionally durable finish for many years to come



*Crown
Natural Fir 02B*



*Crown
Cedar 02B*



*Crown
Coffee Brown 02B*



*Crown
Black Walnut 02B*



*Crown
Driftwood 02B*



*Crown
Slate 02B*



*Crown
Classic Blue 02B*



*Crown
Barn Red 02B*



Crown Smoke 02B

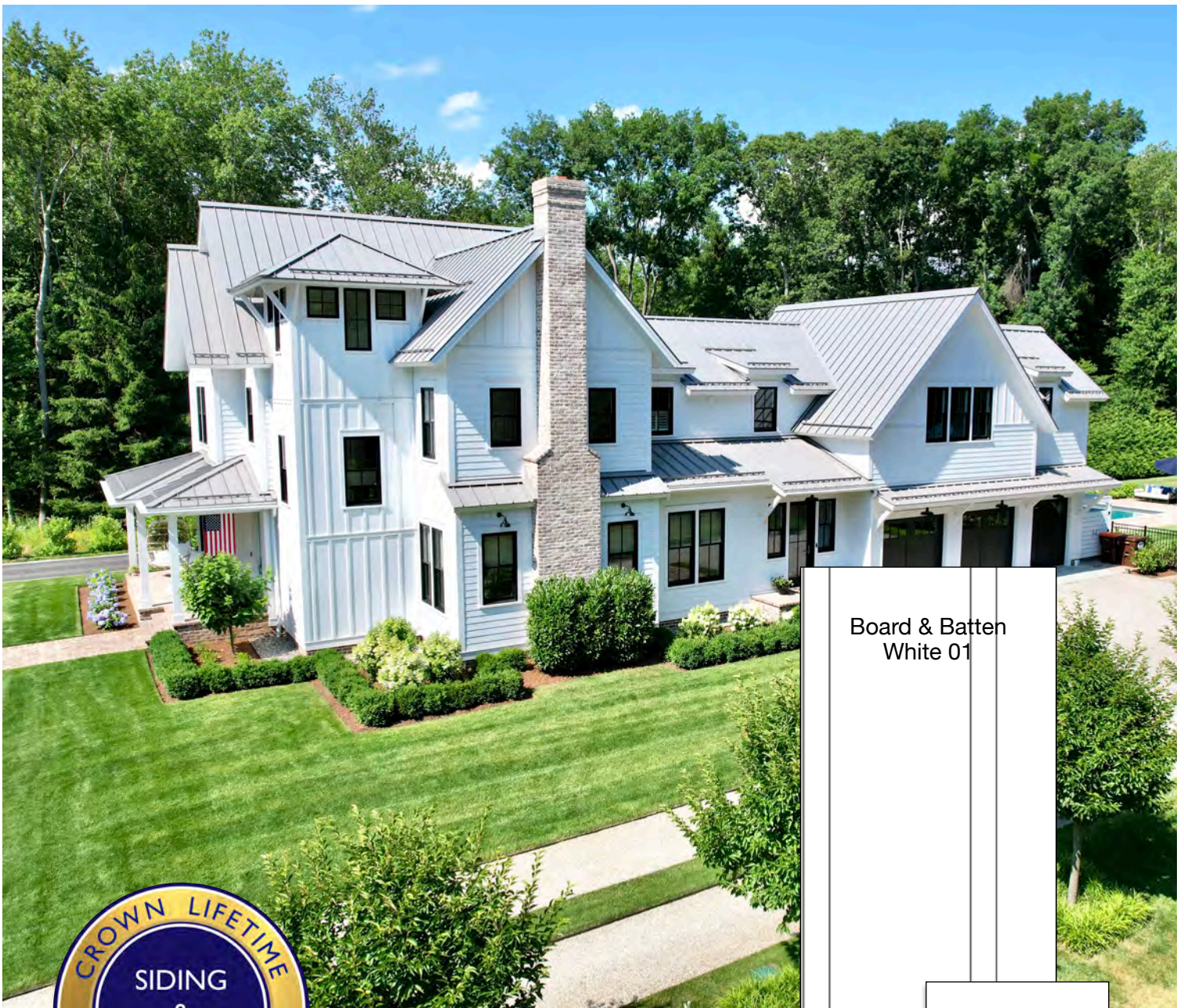
Crown Cedar 03W

Crown White 01B

CROWN PVC WOOD MOLECULE

These trim boards are the next generation of advanced PVC trim materials for exceptional beauty and durability

A revolutionary product often compared to real wood for its realistic textures and contrast. These finished PVC products deliver all the advantages of modern composite materials, elevating any exterior for stunning results. Crafted for lasting durability, with its exceptional stainable capabilities, our premium colors enhance exterior spaces with depth, warmth, and sophistication. Engineered for maximum performance, it is suitable for ground contact installation, with an enduring finish that stands the test of time.



CROWN COMPOSITE BOARD & BATTEN SIDING

With Crown Pro-Tect paint finish system

Crown Composite PVC Board & Batten Siding can be achieved using 1/4" high-density PVC sheets or regular 1/2" or 3/4" PVC sheets with 1x3" battens. The versatility of our PVC trim products provides a wide range of options

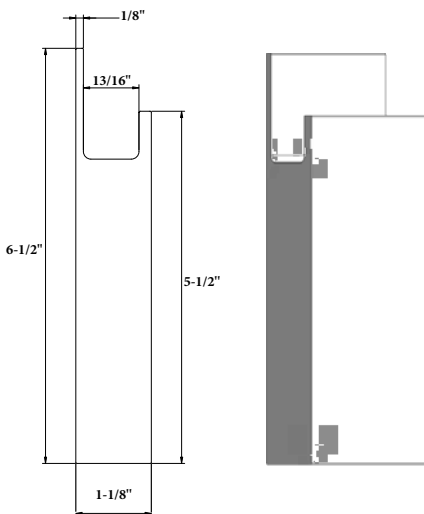
Enhanced with **Crown Pro-Tect** Paint Technology, it features a fade-resistant, factory-applied finish that maintains its rich color and flawless appearance for years to come.



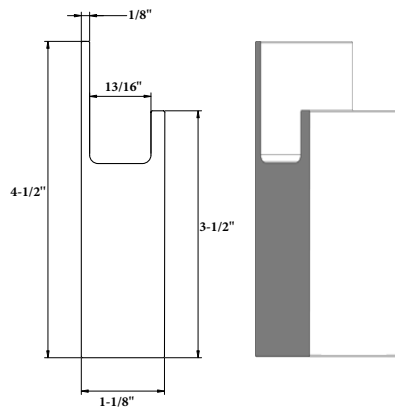
VINYL SIDING PROJECTS

We offer a full range of PVC products for the vinyl siding industry. All of our products are manufactured using advanced co-extrusion techniques to produce a superior product with 360-degree sealed edges, including window casings, door casings, and both Interior and Exterior corners.

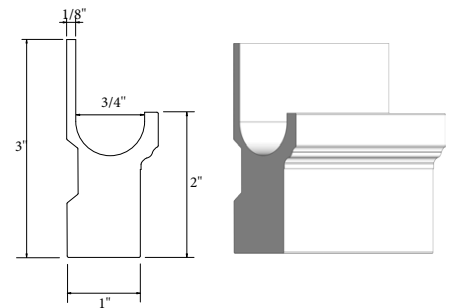
5/4" x 6" x 18'
Lineal trim with J channel



5/4" x 4" x 18'
Lineal trim with J channel



Brick moulding
with J channel

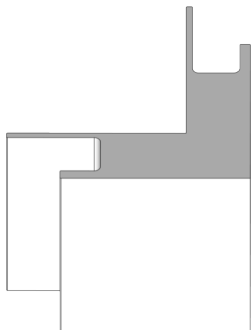
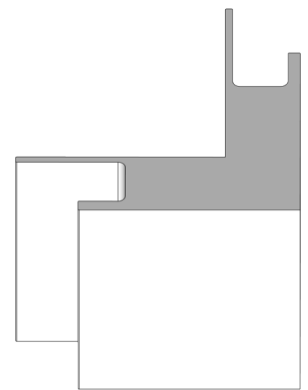
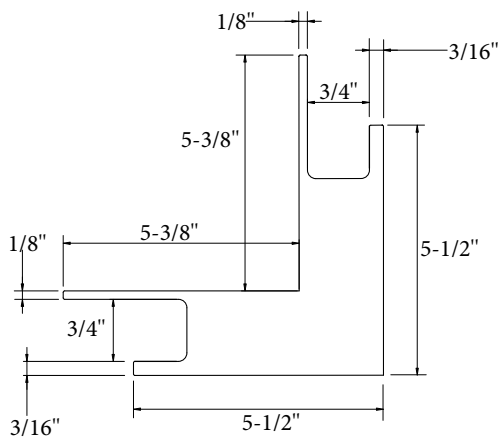
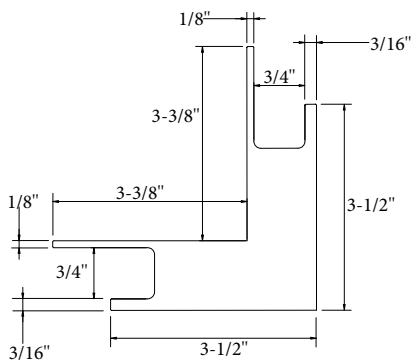


Lineal trim with J-channel is the perfect option for any vinyl siding project. Our products are made of 100% PVC, ensuring a long lifespan free of rot and the costly repairs typically required by other materials, such as wood and fiber cement.



5/4"x4"x20' Pre. Made corner with J channel

5/4"x6"x20' Pre. Made corner with J channel



Crown PVC trim and moulding offer a superior quality and easy installation, providing peace of mind for any project. We proudly stand behind our products with a 25-year guarantee—one of the strongest in the industry. Get the high-quality PVC products you deserve

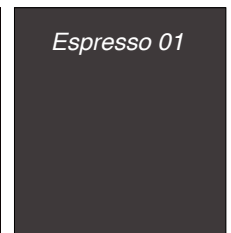
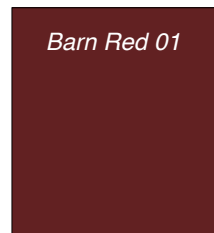
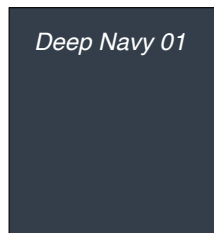
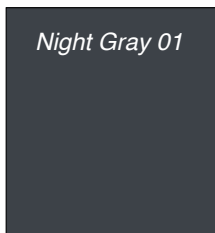
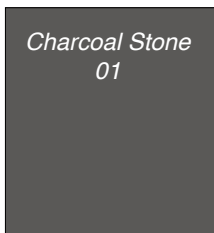
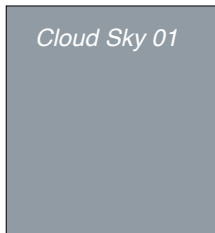
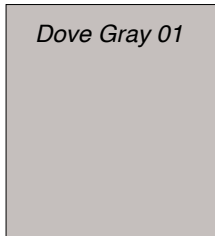
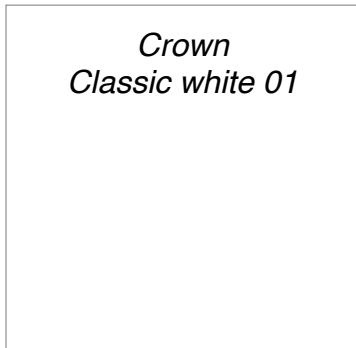
SMOOTH SURFACE

CLASSIC COLORS



Crown Composite smooth surface is our classic surface finish for all trim and siding products. Its fine and smooth surface stays clean longer with minimal maintenance, and its simplicity has been preferred by many over the years.

Painted with our proprietary solar reflective Crown Pro-Tech finish system for an exceptionally durable finish for many years to come



Colors and textures are digitally captured from actual products. For sample requests, please contact us at sales@CrownPVCproducts.com



Crown
Iron Ore 02B

Crown
Soft linen 02W

Crown
Walnut 02S

Crown PVC trim products bring the beauty of classic building materials back to the construction industry, with the benefits of modern PVC composite alternatives. Our products are rot-proof, moisture-proof, insect-proof & easy to work with

COMMON ISSUES USING WOOD AND FIBER CEMENT PRODUCTS

Avoid extensive repairs and maintenance associated with wood and fiber cement products.

These materials absorb moisture, which can eventually affect the wall system, resulting in frequent maintenance and potential damage. **Crown Composite** PVC products are engineered to outperform the elements, requiring virtually no maintenance compared to other materials.



Crown PVC Trim Advantages

- *Rot-resistant*
- *Moisture resistant*
- *Safe for ground contact applications*
- *Lightweight and superior stability*
- *Pre-finished available*
- *Four surface textures available*
- *Crown lifetime limited guarantee.*



CROWN COMPOSITE PVC PRODUCTS

Offer an extensive selection of PVC products to customize your dream home. All our products are manufactured using the modern manufacturing process and co-extrusion techniques to produce superior products that meet the highest industry standards and guarantees.

Crown Product Selection



Advantages

When you contract with us, the process of selecting products becomes very simple from day one. We assist with the design, product selection, and installation of your project. Our design team provides design options and material takeoffs to ensure an accurate and hassle-free experience.

CHOOSE YOUR STYLE

STAIN

Allows the engineered wood patterns to show through, creating a real wood look and feel



SEMI SOLID

Allows wood grain texture to show, reemphasizing the natural beauty of wood



SOLID COLOR

Classic and tested over the years. Available in 16 classic colors and custom match colors



CROWN PRO-TECH **Finish system**

We offer all our products pre-finished in a variety of colors, using our proprietary solar-reflective paint and stain finishes for exceptional beauty, product integrity, and longevity.



To support project schedules and reduce lead times, Crown Composite maintains a large inventory of siding, trim, and mouldings. Thanks to our in-house fabrication shop and a skilled team of master craftsmen, we can deliver the components you need in just a few weeks rather than several months. Our products meet or exceed local and national building code requirements and comply with recognized industry standards



Compliances

- ISO 17226-1:2021
- RoHS compliant
- REACH compliant
- ASTM E84-17
- ASTM D696-08
- GB 8624-2012





Recent Projects Completed

Crown Composite products have been selected for numerous residential, luxury home, and multi-family developments across the country. Architects and contractors trust Crown Composite for projects that demand both exceptional appearance and reliable performance.



CROWN COMPOSITE products & services have been the preferred choice for many multi-family projects. For years, our superior quality, wide product variety, and reasonable prices have made us the ideal choice for large projects.

GIVE US A CALL – YOU’LL BE GLAD YOU DID!



We sell directly, saving our customers thousands with quality products they can trust.



CUSTOM FABRICATION



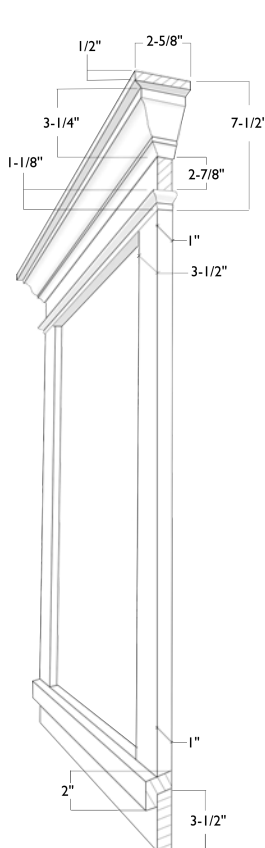
PRE-FINISHING AVAILABLE

Solid colors and stain finishes

Crown Composite offers advanced custom fabrication services to support unique architectural designs and specialized construction requirements. Our in-house fabrication facility allows us to produce custom components quickly and precisely.

Custom Solutions Include

- WINDOWS TRIM SURROUND
- DOORS TRIM SURROUND
- COLUMNS WRAP
- GARAGE DOOR TRIM
- EXTERIOR PVC CABINETS
- PVC SHOWER ENCLOSURES





At Crown Composite, our innovative co-extrusion process truly elevates the quality of PVC moulding profiles! By creatively blending diverse PVC materials, we deliver outstanding performance, stunning aesthetics, and superior stability. Experience the difference with our exceptional products!

What is co-extrusion?

Co-extrusion is an advanced plastic extrusion process where two or more materials are pushed through a single die to form one finished profile. Each material keeps its unique properties, which makes it possible to create a single profile with multiple benefits. For example, one layer might provide strength and stability, while another layer adds color or UV protection.

Improving durability

PVC moulding profiles created through co-extrusion typically last longer because they combine a durable core with a protective outer layer. The inner core can use softer or lower-density PVC to produce a perfect balance, while the outer layer uses high-grade, impact-resistant PVC that stands up to weather, sunlight, and daily wear and tear

Advantages



Lightweight

Easy to work with & Superior stability



Workability

Easy to cut & safe
0% harmful silica sand



UV Resistant

True white color
Slow outdoor aging



Weather Resistant

Rot resistant
Moisture resistant



Insect Resistant

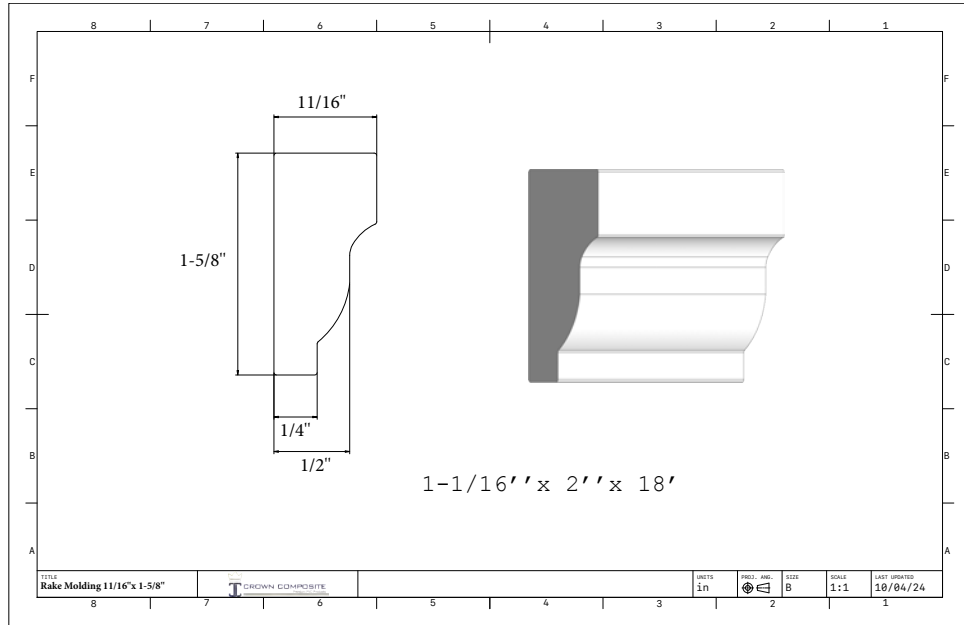
Great for outdoor
Safe for ground contact



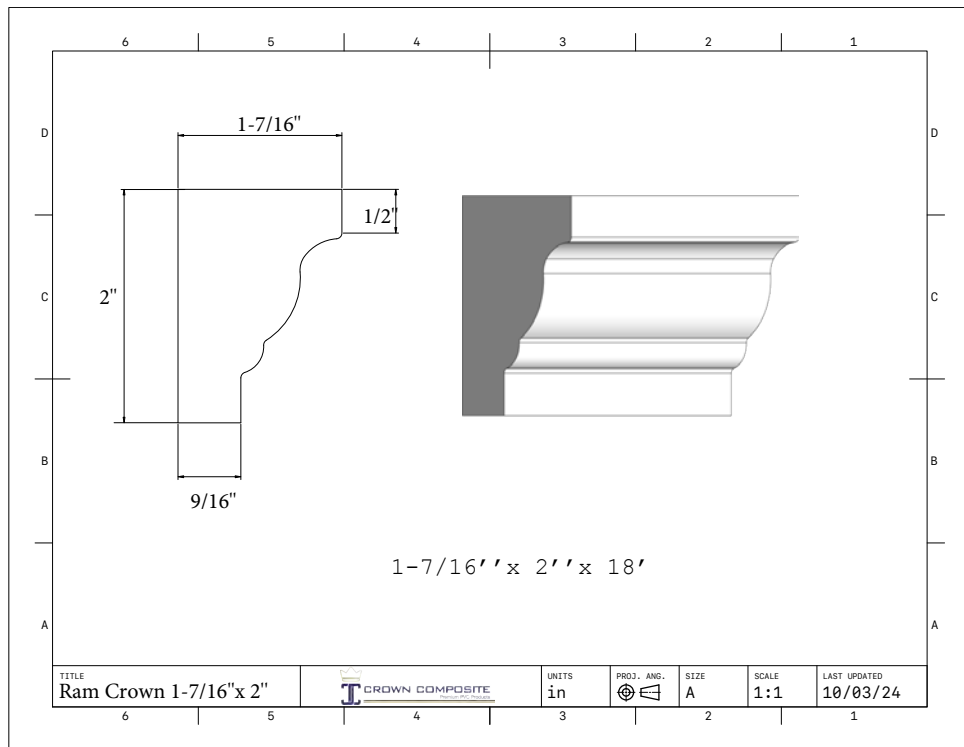
Self extinguishing

Meets ASTM E84
Class A

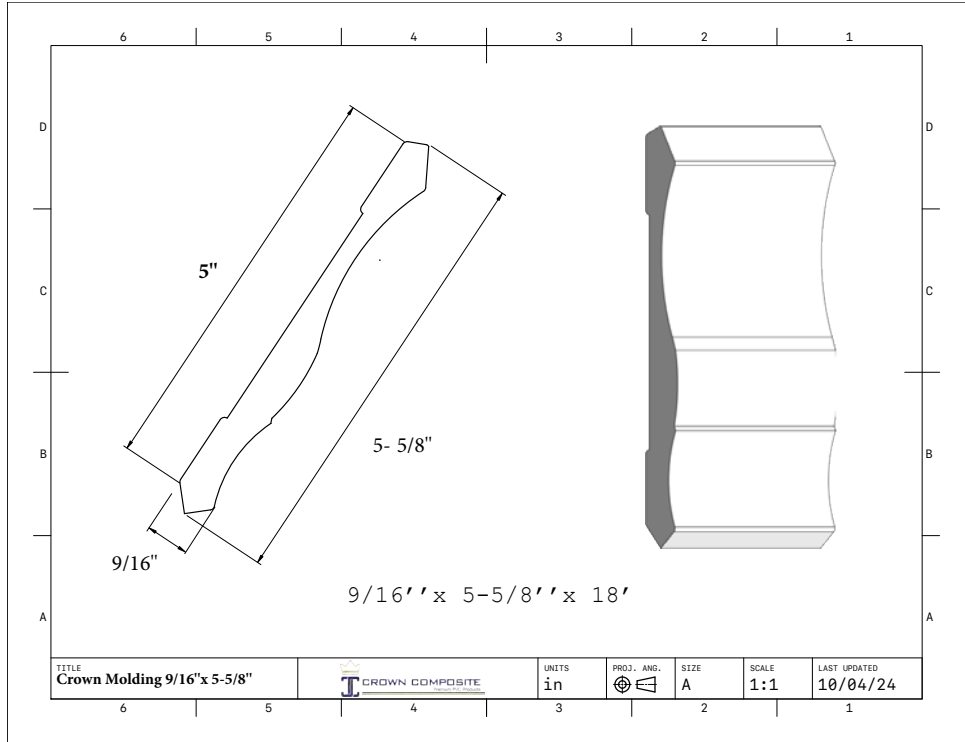
RAKE MOULDING



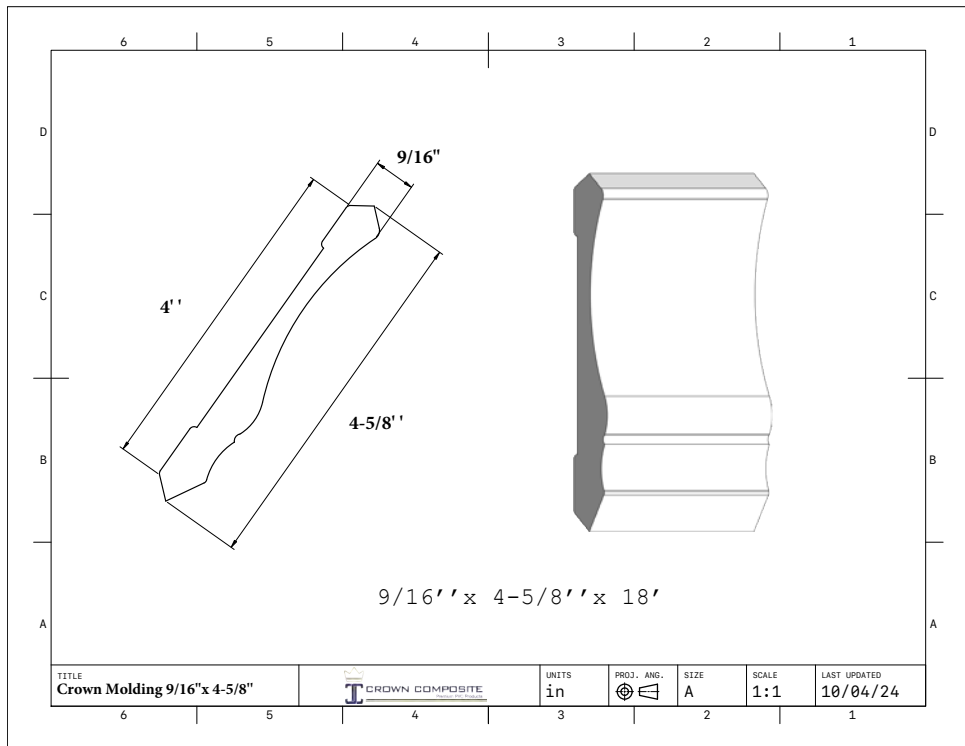
RAMS CROWN



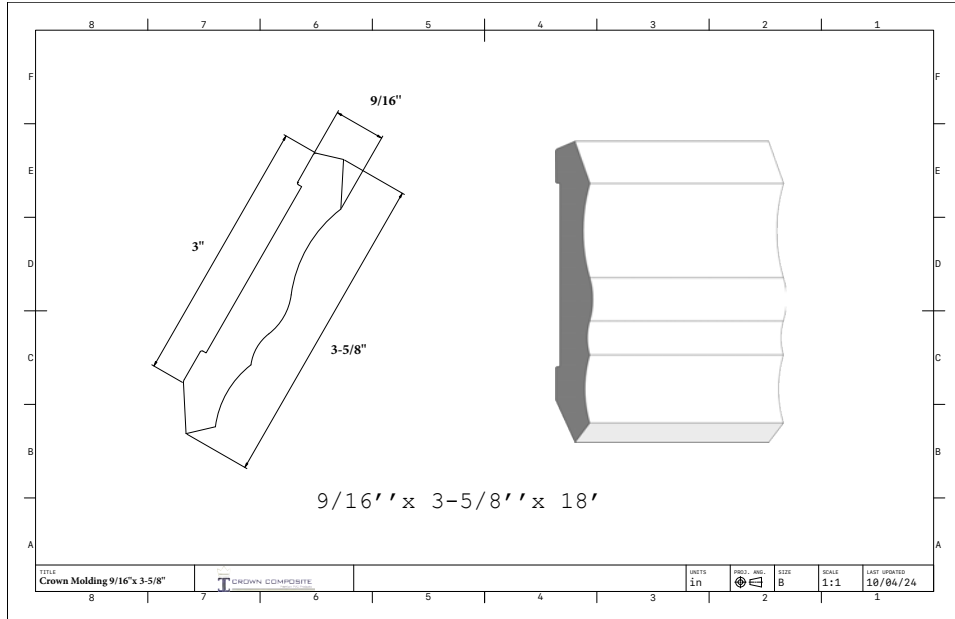
CROWN MOULDING



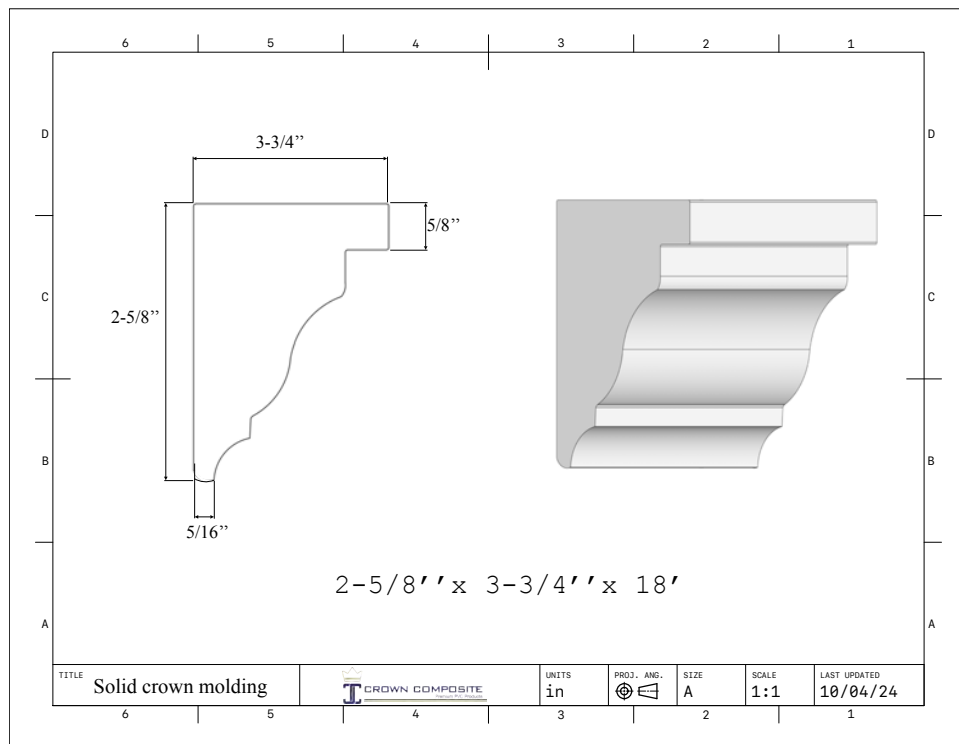
CROWN MOULDING



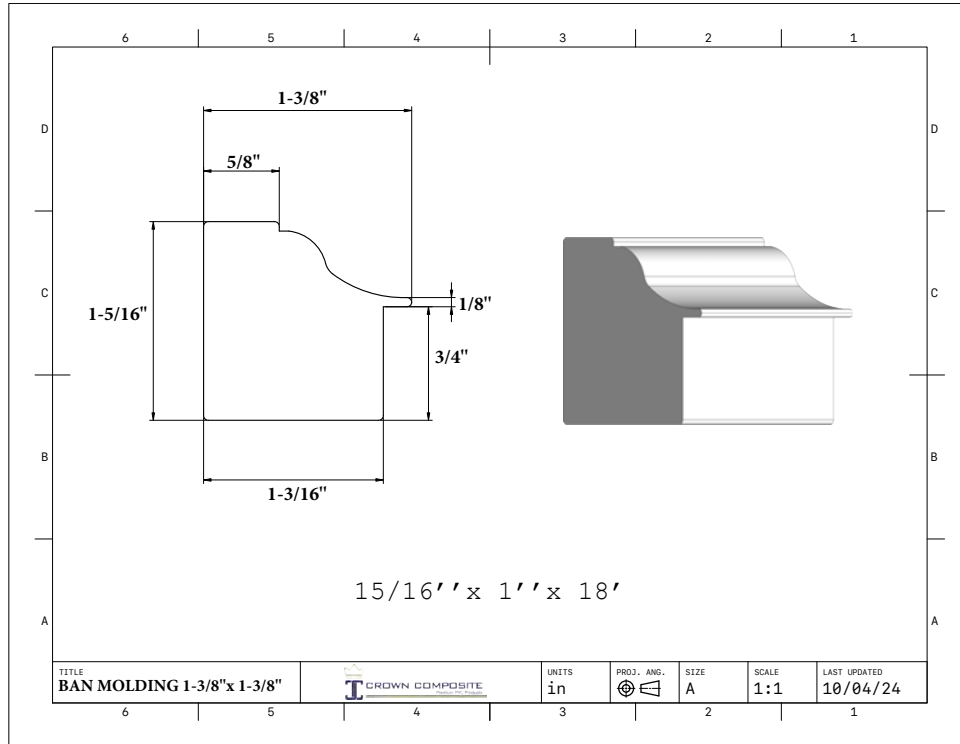
CROWN MOULDING



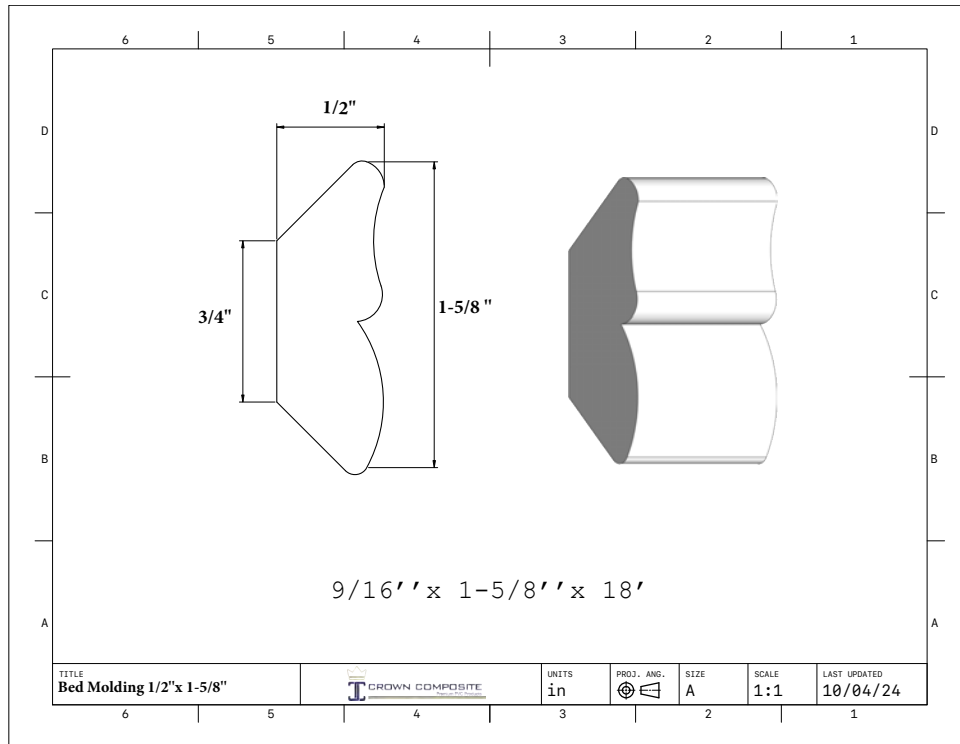
SOLID CROWN MOULDING



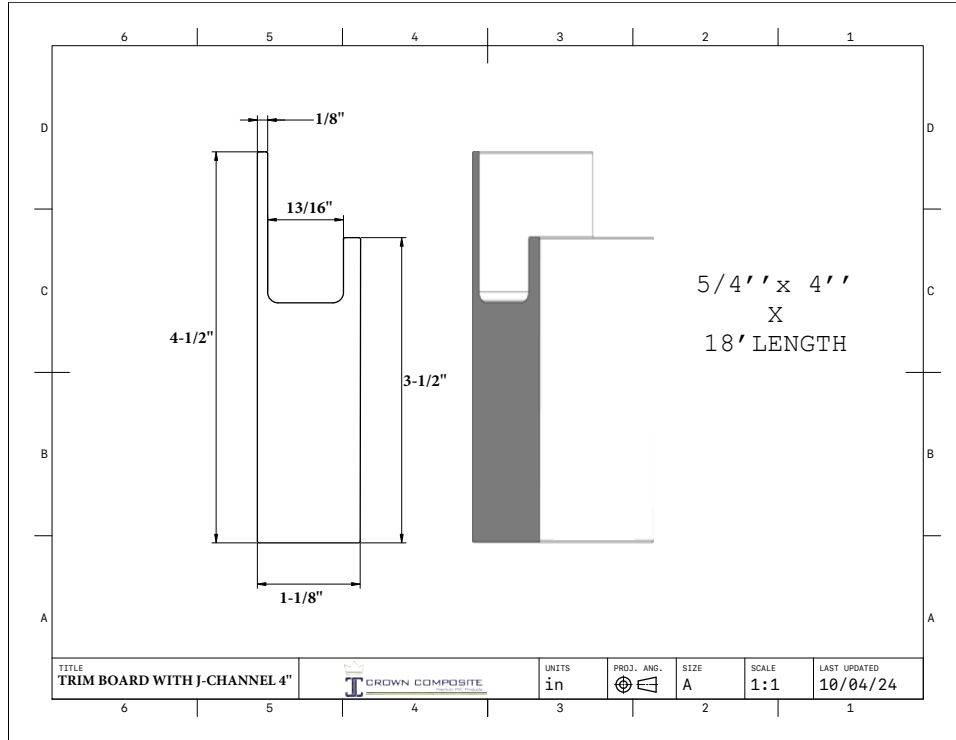
BACKBAND MOULDING



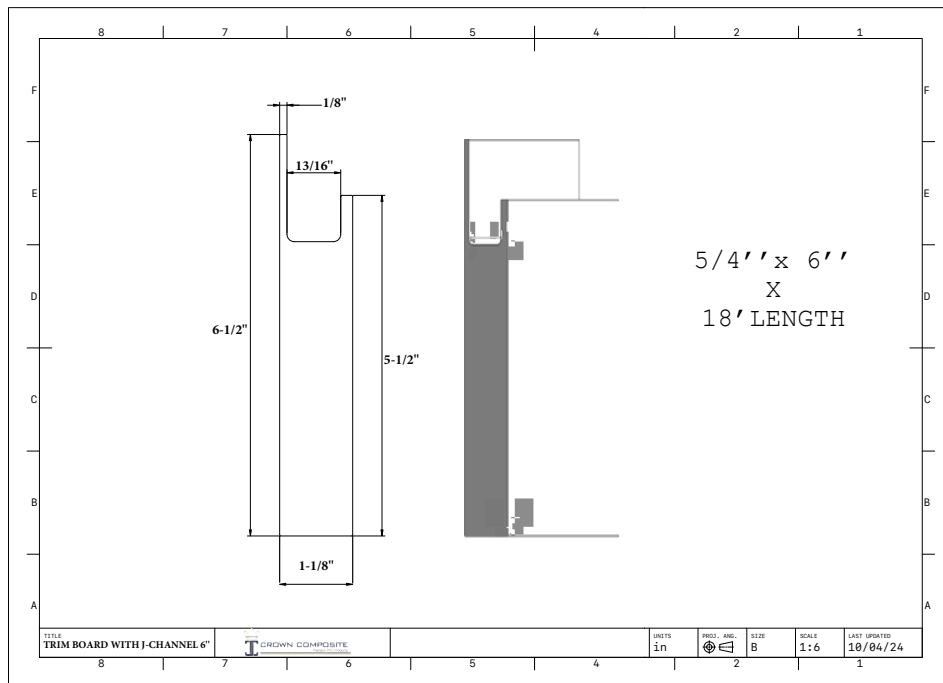
BED MOULDING



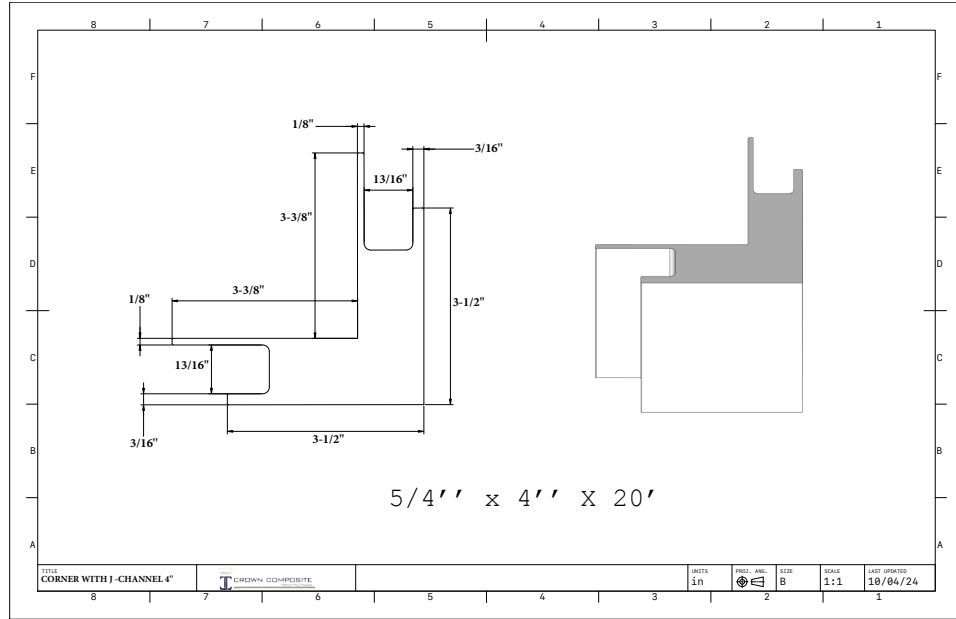
LINEAL TRIM WITH J CHANNEL



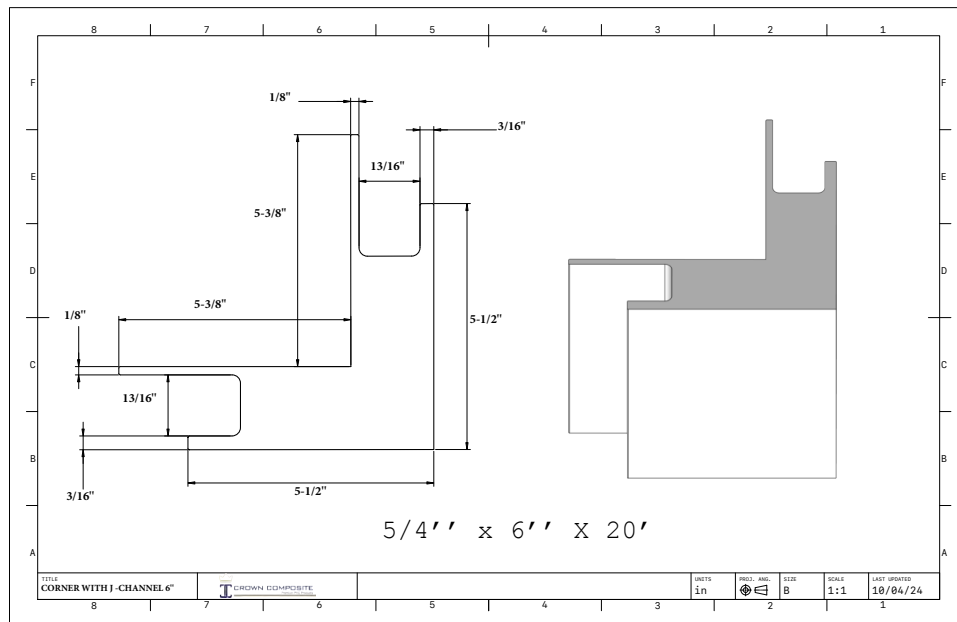
LINEAL TRIM WITH J CHANNEL



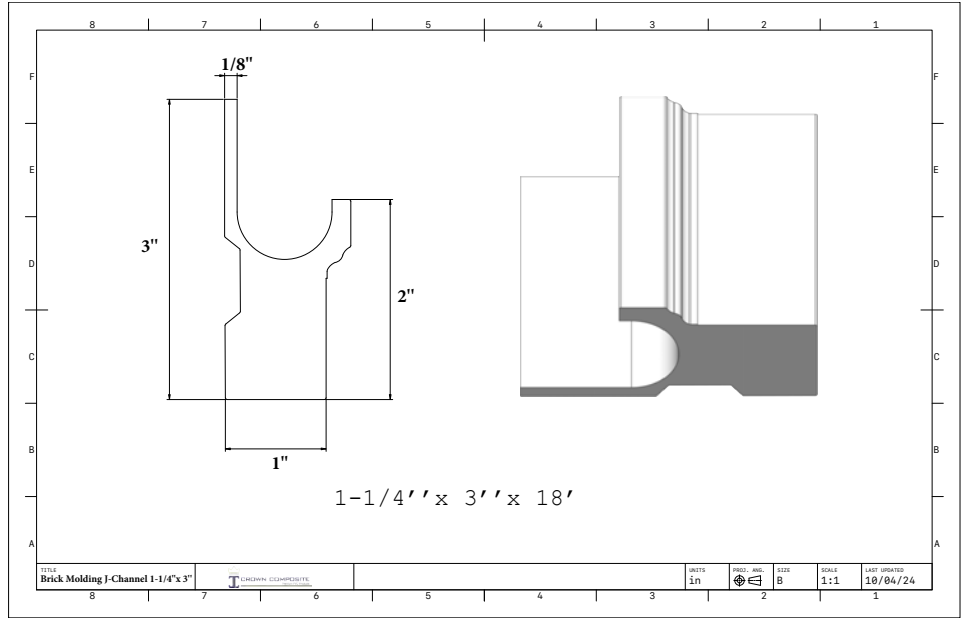
PRE MADE CORNER WITH J CHANNEL



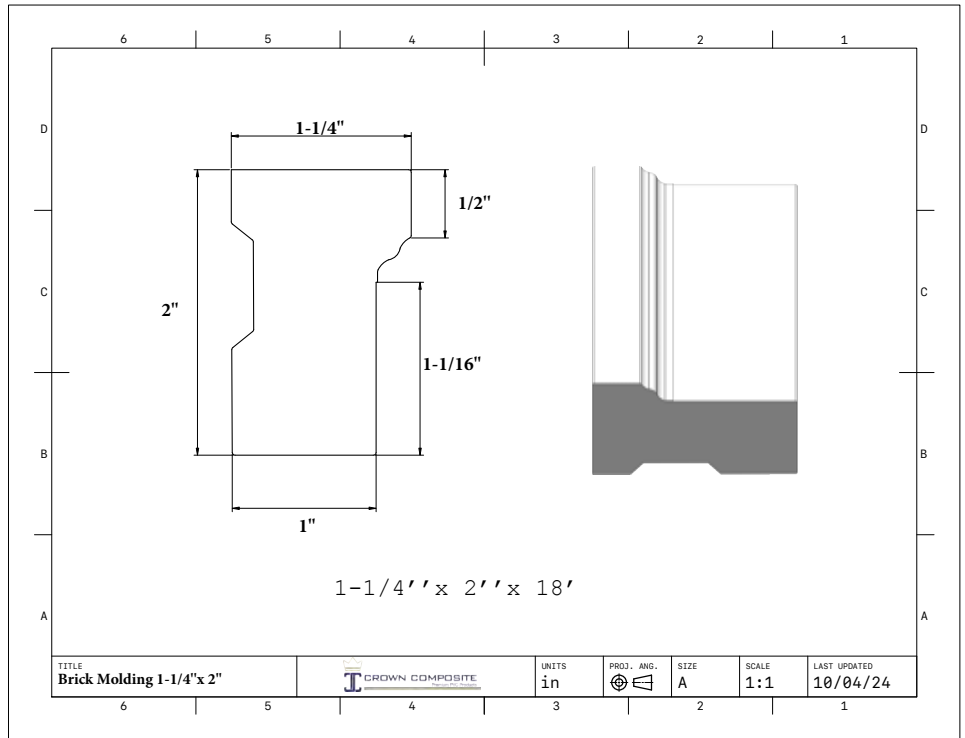
PRE MADE CORNER WITH J CHANNEL



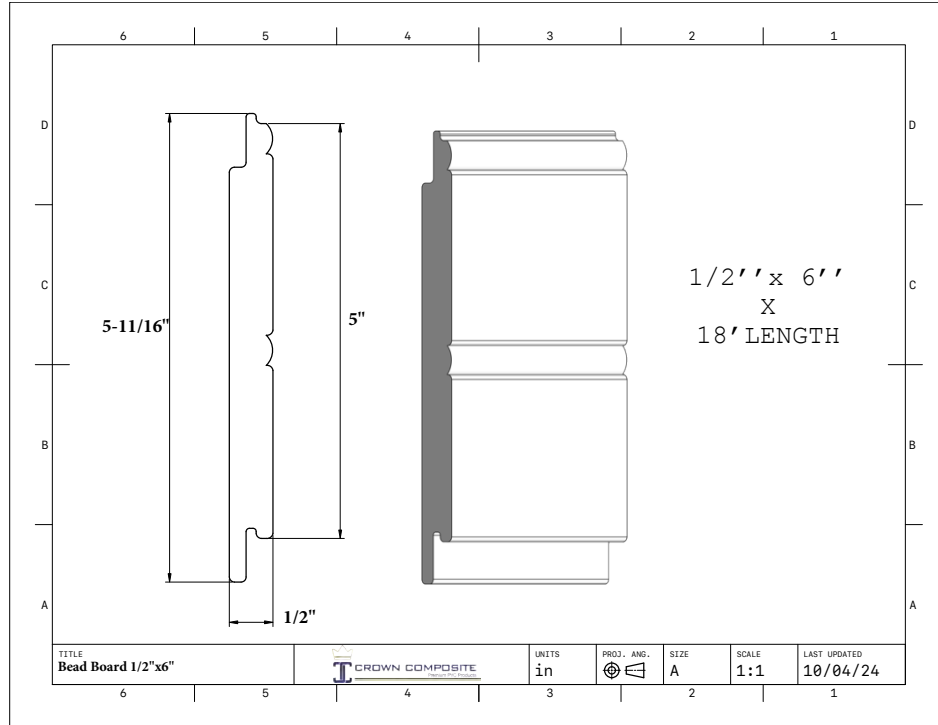
BRICK MOULDING WITH J CHANNEL



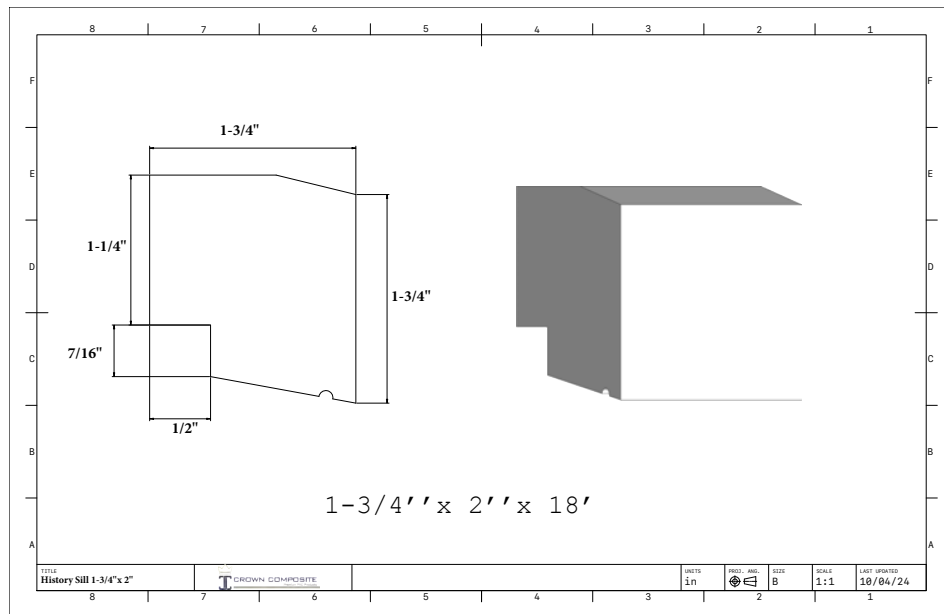
BRICK MOULDING



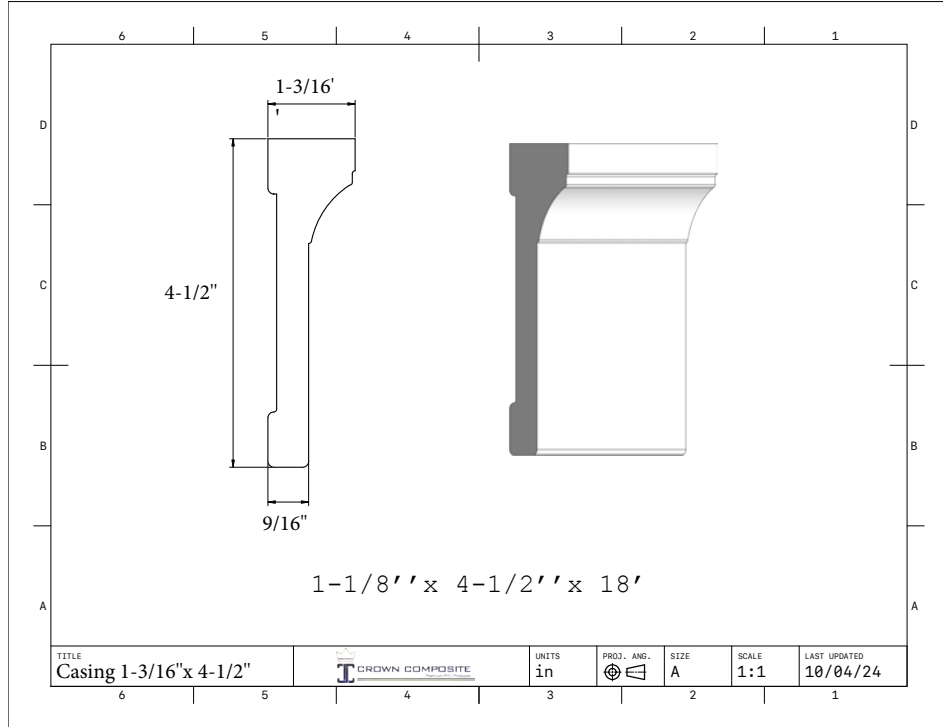
BEAD BOARD SOFFIT REVERSIBLE



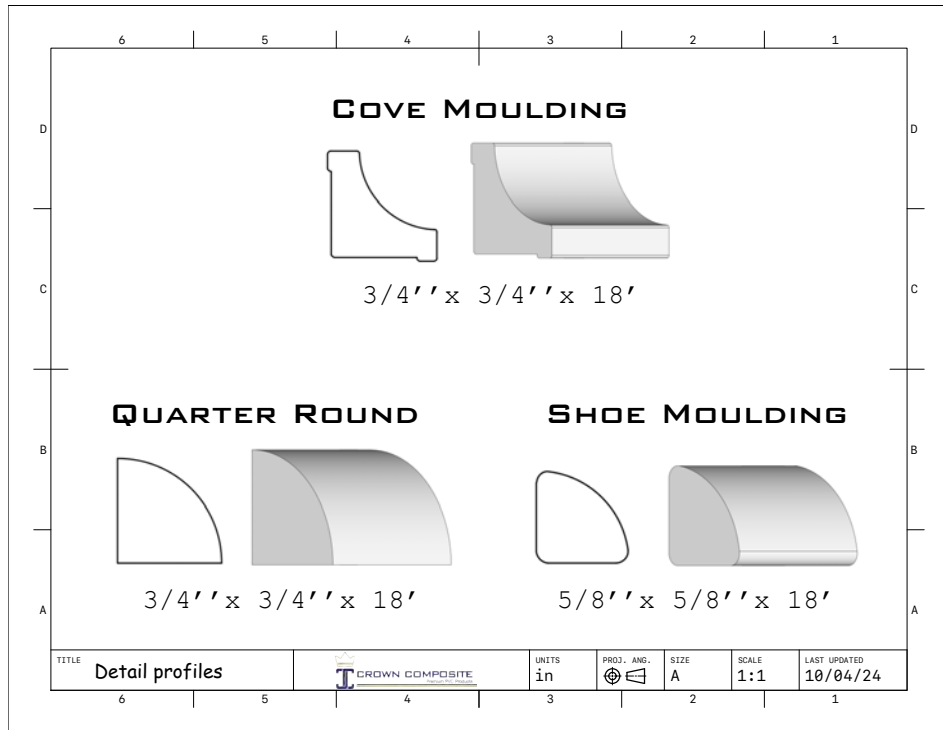
HISTORIC SILL



BEAD BOARD SOFFIT REVERSIBLE



DETAILS PROFILES



P
R
E
M
I
U
M

P
V
C

P
R
O
D
U
C
T
S



CROWN COMPOSITE

SALES OFFICE

67 Mill Rock Rd E. Old Saybrook, CT. 06475

(203)-390-9122

Sales@CrownPVCproducts.com

www.CrownPVCproducts.com

